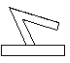
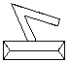



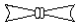



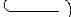

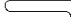








g -	 U17 grg	 U18 grg	 D56 ghs						
t -	 G4 tiw	 G4A tiw							
t̄ -	 S24 t̄3z								
d -	 N14 dw3	 T25 db3	 F46 dbn	 F47 dbn	 F48 dbn	 F49 dbn	 S23 dmd/dm̄	 G27 dšr	
d̄ -	 S41 d̄m	 T25 db3	 D50 db'	 G26B d̄hwti					